

SONY

Hi-Fi Products
Service Bulletin

Sony Service Company - Technical Services
A Division of Sony Corporation of America
Sony Drive, Park Ridge, New Jersey 07656

Model: CDP-C315

No. 297

Subject: Chassis Replacement

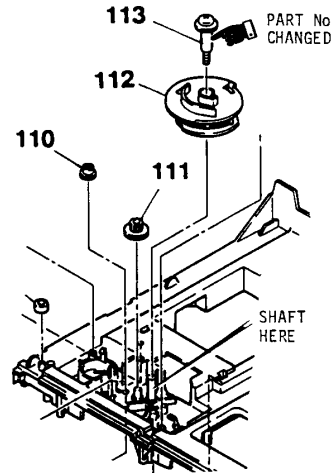
Date: October 16, 1992

Symptom:
(**)

Chassis Replacement Part (Ref. 120, P/N 4-943-997-01) is different from original. The new replacement chassis has a shaft for mounting Cam Gear Ref. 112. When replacing the chassis, it is also necessary to replace the Hold Down Screw Ref. 113.

Solution: Order the Chassis and the Cam Gear Hold Down Screw as shown in the chart below:

REFERENCE	DESCRIPTION	PART NUMBER	
		INCORRECT	CORRECT
120	CHASSIS	-----	4-943-997-01
113	SCREW, STEP	4-926-317-01	7-682-661-09



Reference: FPR N1800

PRINTED IN U.S.A.
CSA-131092-1

CSA-13 CD Player